

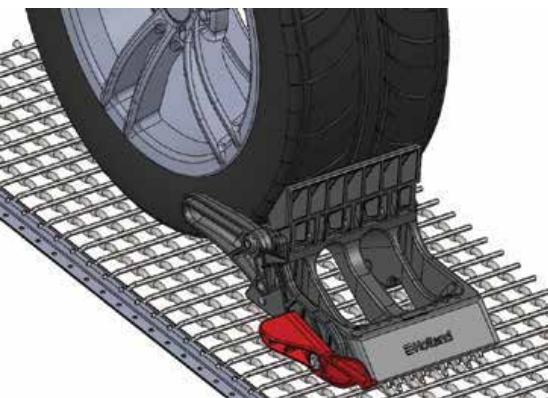
Holland's low profile bi-level chock is compatible with all types of auto rack grating and is built in the USA.

Benefits

- Meets AAR requirements
- Aftermarket service and product support
- Seamless installation and removal
- Visual indicator to show chock has been engaged correctly when applied

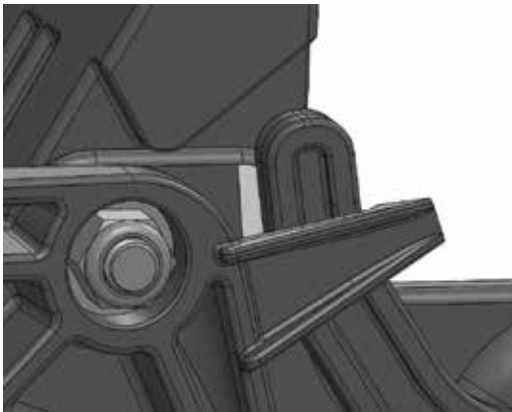
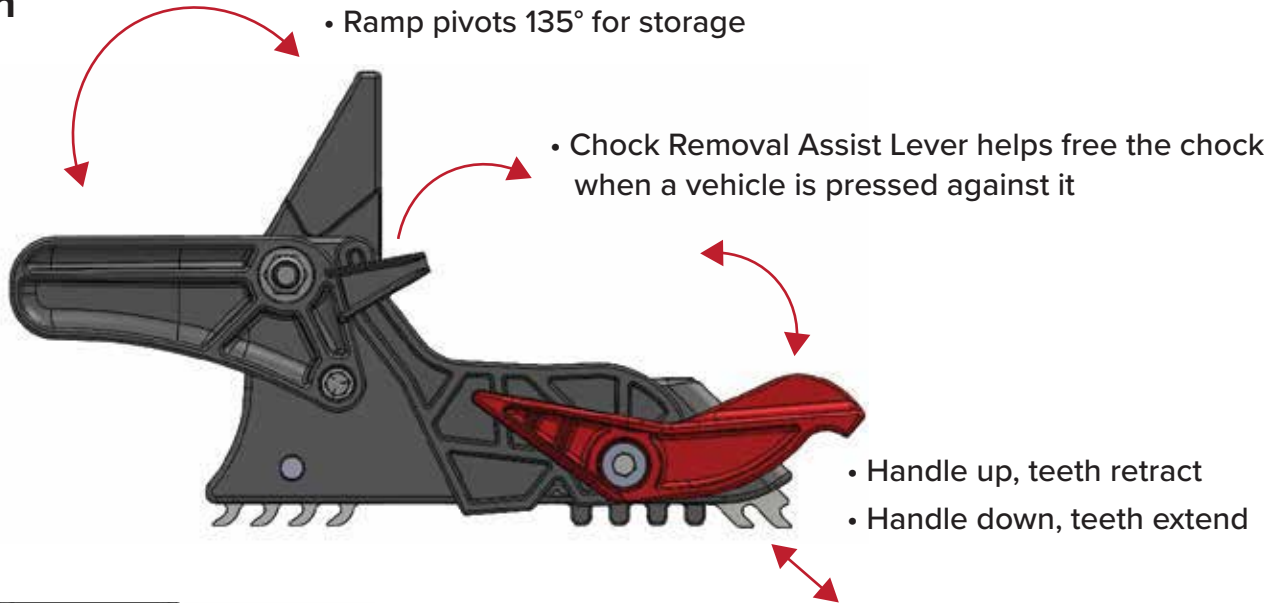
Weight (lbs.): 9.8

Part Number:	Description:
75203	Right Hand LocknLoad
75204	Left Hand LocknLoad
74909	Storage Pan



LocknLoad[®] Chock

Application



- White decal shows that chock has been installed correctly

