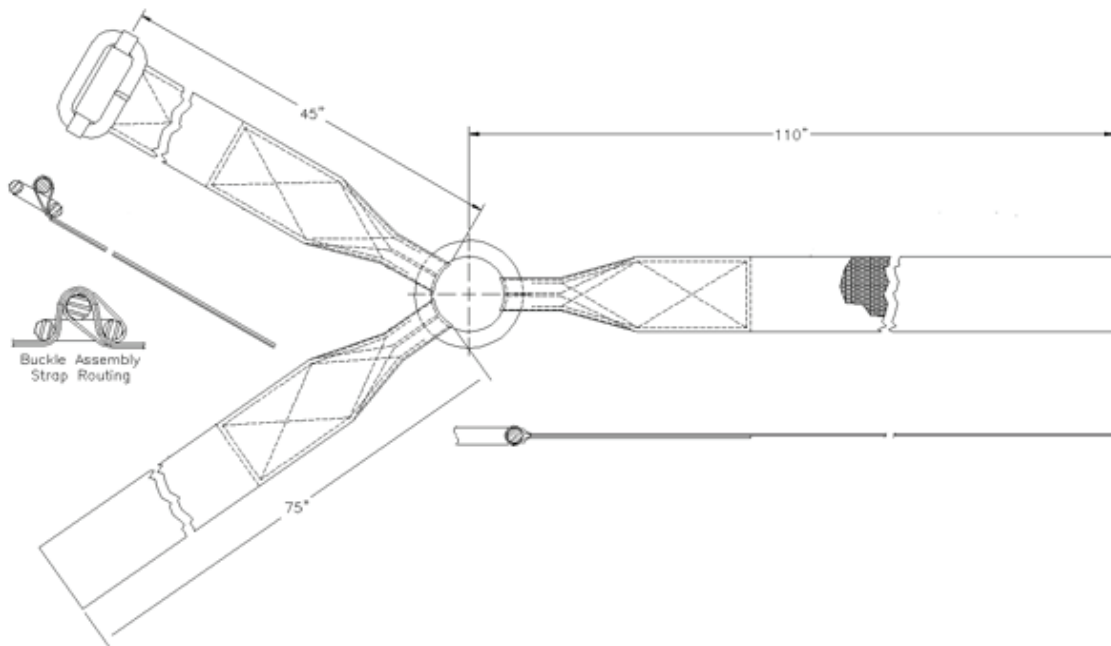


Holland offers a complete product securement line of products to protect your goods transporting in a variety of rail cars. From bulk materials to coiled metal to uniquely packaged goods, Holland believes in partnering with you to engineer superior solutions to meet your product securement needs. These engineered solutions provide the defense you need against loss and damage. All of our Product Protection Securement Systems and Companion Products are Patented and AAR Approved, so you can trust that Holland offers the most effective product securement products. Holland specializes in custom solutions and has additional products available to suit your unique needs; contact us to find your perfect Product Protection Securement Solution.

	Harness System	Load Snugger® System	Cargo Net Systems
CARGO TYPE			
Top Heavy Products	X		
Coiled Metal Products	X	X	
Palletized Bulk		X	X
Packaged Goods		X	X
LIMITS (LBS.)			
Assembly Breaking Strength	18,000 - 20,000	18,000 - 20,000	
Assembly Working Load Limit	6,500	6,500	
COMPANION PRODUCTS			
Load Snugger® Utility Ratchet	X	X	
2 - Slot Floor Anchor	X	X	
4 - Slot Floor Anchor	X	X	
Multiple-Purpose Wall Anchor		X	X
OPTIONS			
Custom Strap Stenciling	X	X	X
Installation Documents	X	X	X
Load Arrangement Documents	X	X	X
OTHER INFORMATION			
AAR Approved	X	X	X
Patented	X	X	X

Snapshot of Companies Who Trust Holland's Product Protection Securement Systems:

ADM	Alcoa	Applied Industrial Technologies	ArcelorMittal
BNSF	MHF-LS	Ohio Coatings	Omya
PPG-NS	Silgan Containers	Tropicana	UP
US Steel	Wisconsin Central	Wise Alloys	



Harness System

Securing top-heavy loads in a rail car can be a challenge, however with Holland's Harness System you can feel confident that your products will arrive upright and intact. The unique welded ring allows the webbing to be positioned over and around the cargo; providing a more secure fit compared to traditional straps.

- Works with floor anchors designed to stabilize and secure top-heavy products
- Operates in buckled pairs and adjusted with ratchet devices
- Consists of 4" adjustment buckle, 4" welded ring and 4" wide polyester webbing

Assembly Breaking Strength:

18,000-20,000 lbs.

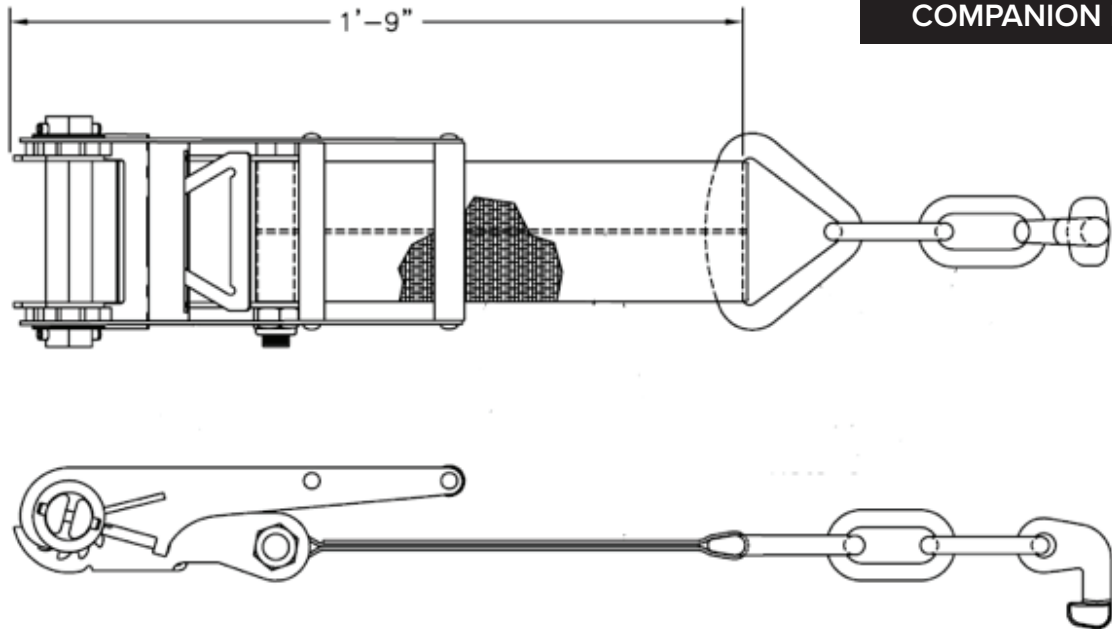
Assembly Working Load Limit:

6,500 lbs.

APPLICATION



COMPANION PRODUCT



Load Snugger® Utility Ratchet Short Strap Assembly

As a companion product to Holland's 4" Load Snugger and Harness System products, the Load Snugger® Utility Ratchet Short Strap Assembly allows for easy strapping adjustment and release. The Utility Ratchet allows for precise tension locking of the cargo to the floor anchors. With its heavy-duty construction, the Utility Ratchet withstands the strain of shifting cargo; remaining locked and secured in place.

- Consists of 4" utility ratchet, 4" triangle with Patented B-hook anchor and 4" wide polyester webbing

Assembly Breaking Strength:

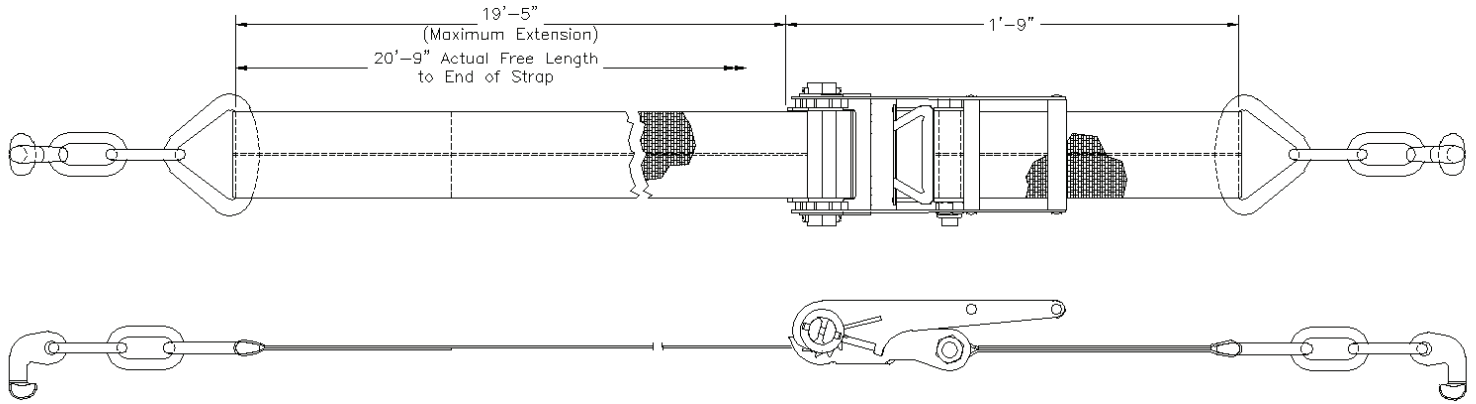
18,000-20,000 lbs.

Assembly Working Load Limit:

6,500 lbs.

APPLICATION





Load Snugger® System

Holland's best-selling snugger assembly is engineered for coiled metal products and other large commodities transported in boxcars. The Load Snugger® System replaces load divider bulkheads, providing a safer and more cost-effective solution.

- Custom strap stenciling with your company information is available
- Consists of 4" utility ratchet, 4" triangle with Patented B-hook, and 4" wide polyester webbing in a variety of lengths
- Rent options available

Assembly Breaking Strength:

18,000-20,000 lbs.

Assembly Working Load Limit:

6,500 lbs.



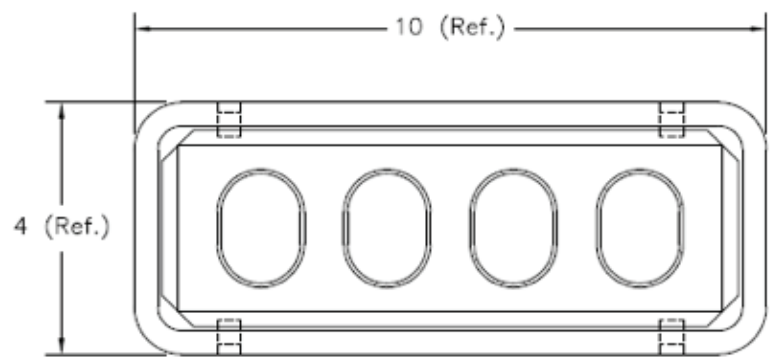
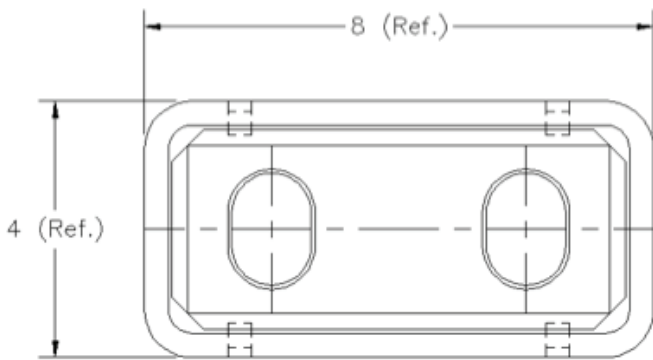


Cargo Net Systems

Securing palletized bulk products and various packaged goods requires a unique securement solution. Holland's Cargo Net Systems are engineered to secure a large surface area while offering the flexibility to cover a variety of unique cargo sizes and configurations.

- Installation methods and load arrangement documents are available
- Designs can be customized to suit customer needs





2 - Slot Floor Anchor and 4 - Slot Floor Anchor

Holland's Floor Anchors are the perfect companion product to the Load Snugger® System, ensuring a secure transport of heavy goods. The Floor Anchors eliminate the potential of product shifting by locking the straps into place.

- Floor Anchor Kit consists of base tube and anchor plate
- Available with or without drain hole

APPLICATION





Multi-Purpose Wall Anchor System

Traditional wall anchors are limited in the ability to offer customizable configurations and don't offer the compatibility with multiple strap systems. However Holland's Multi-Purpose Wall Anchor System works with a variety of strapping systems and provides superior product securement compared to traditional anchors.

- Allows faster loadings and unloadings
- Provides added strength to existing post
- Aligns with front face of post – no obstruction
- Made of weldable steel
- Compatible with “Dog Bone” clips, 2” strap, 1-1/4” steel banding and 4” strap pin hooks
- Installation methods and load arrangement documents are available