

## Product Specifications

Overall Dims (ramp up, inches): 9 x 10.5 x 16

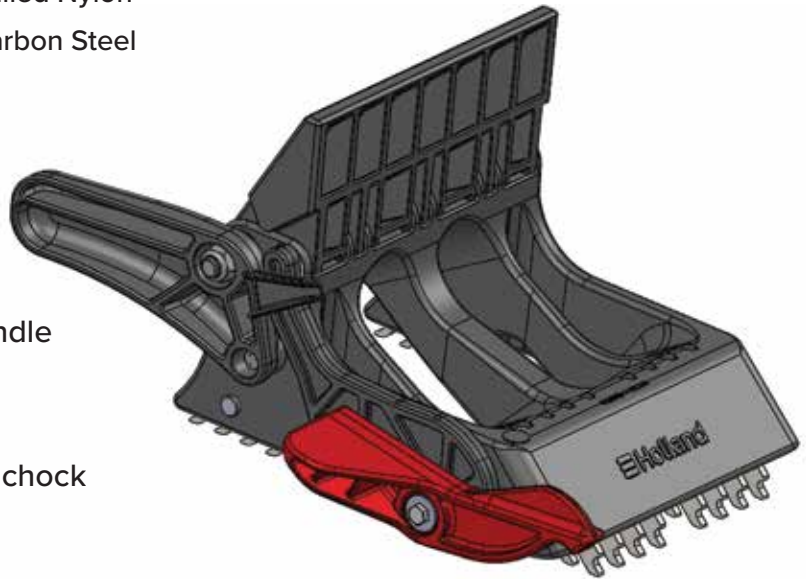
Weight (lbs.): 9.8

Material, Plastic Parts: Glass-filled Nylon

Material, Metal Parts: Low Carbon Steel

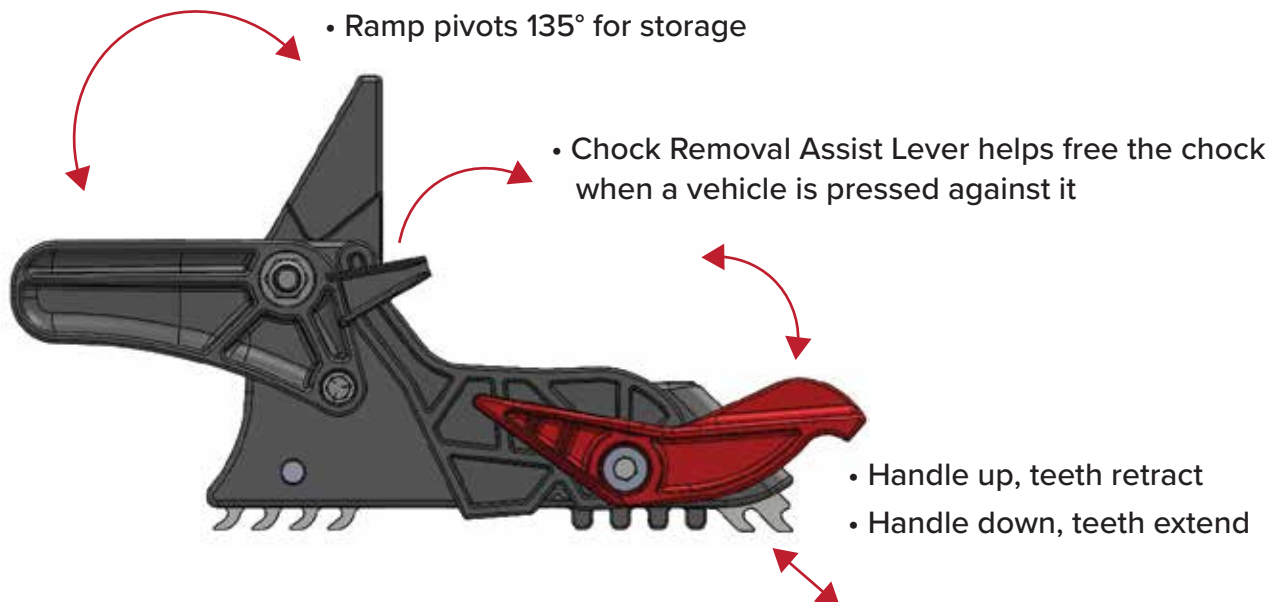
## Benefits

- Higher ramp
- Lower profile
- Ergonomically well-balanced handle
- Easily repairable
- Simple design
- Positive locking indicator shows chock has been installed correctly

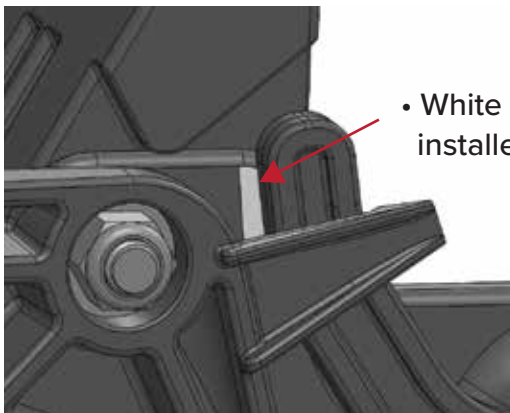
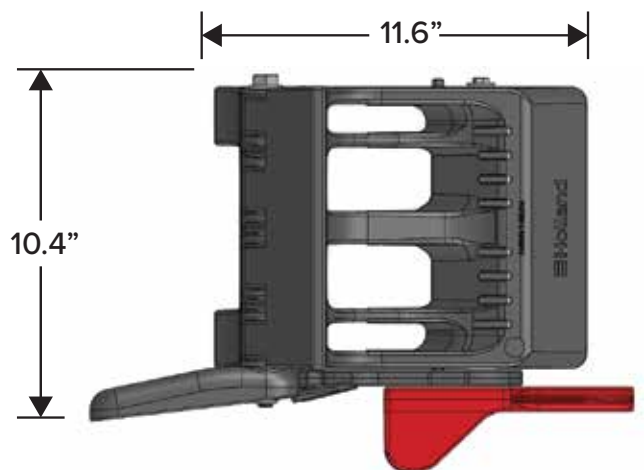
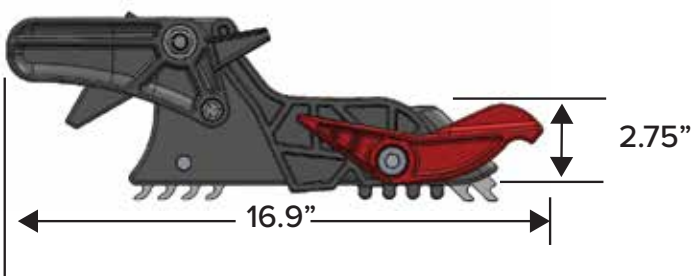
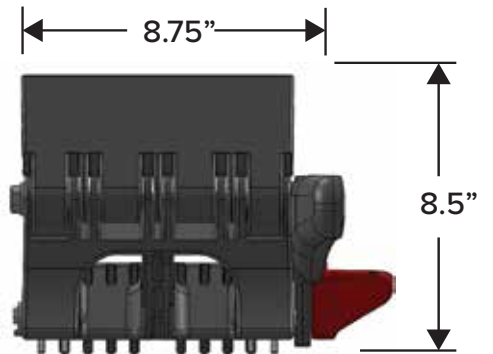
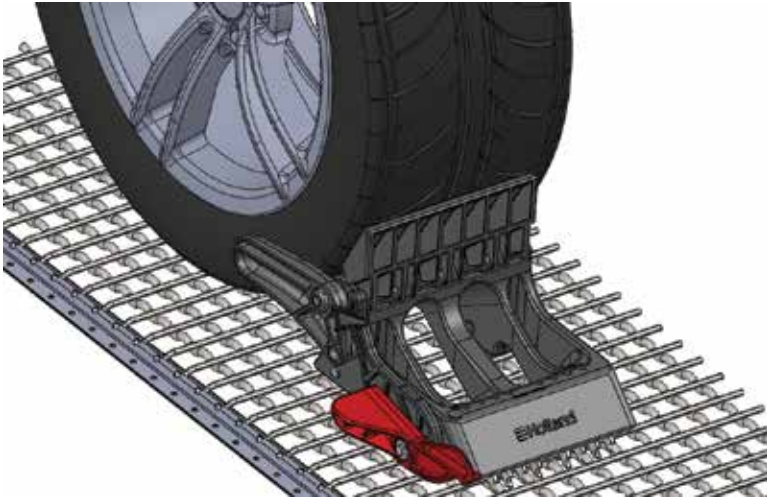


## Application

Retracting/extending rear teeth for quick and easy installation and removal. Compatible with all style grating applications.



# LocknLoad<sup>®</sup> Chock



- White decal shows that chock has been installed correctly