

Product Specifications

Overall Dims (ramp up, inches): 9 x 10.5 x 16

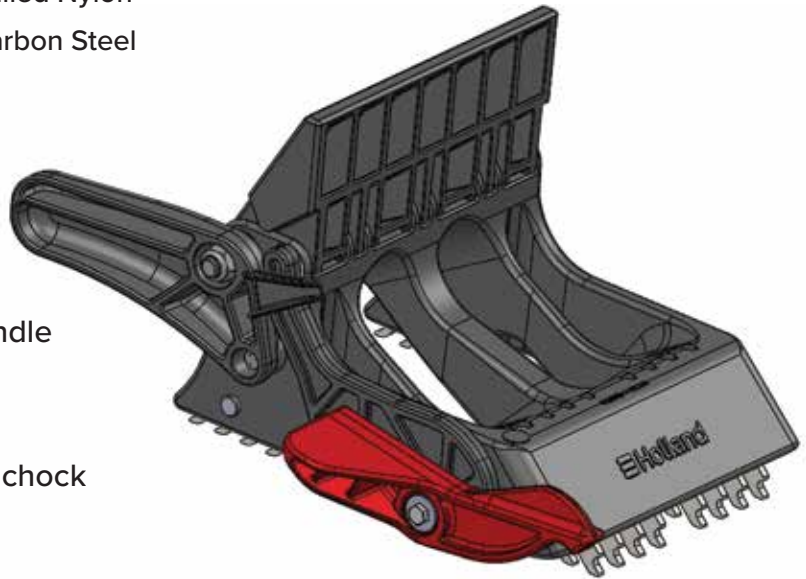
Weight (lbs.): 9.8

Material, Plastic Parts: Glass-filled Nylon

Material, Metal Parts: Low Carbon Steel

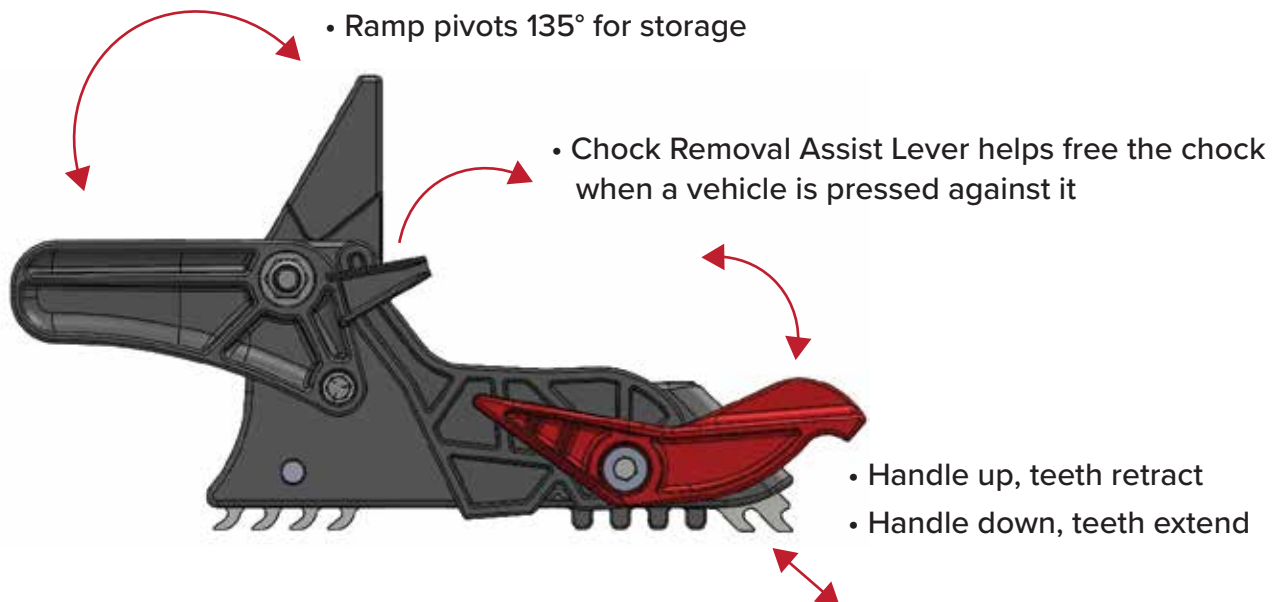
Benefits

- Higher ramp
- Lower profile
- Ergonomically well-balanced handle
- Easily repairable
- Simple design
- Positive locking indicator shows chock has been installed correctly
- Universal Storage Pan

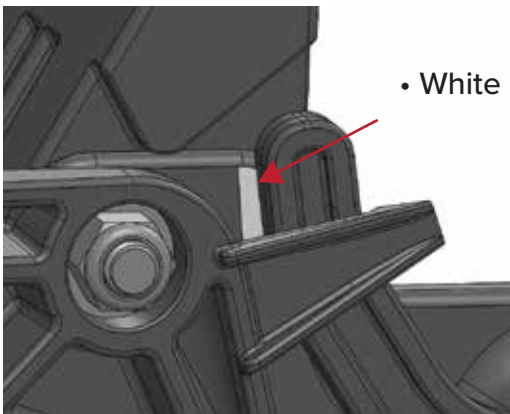
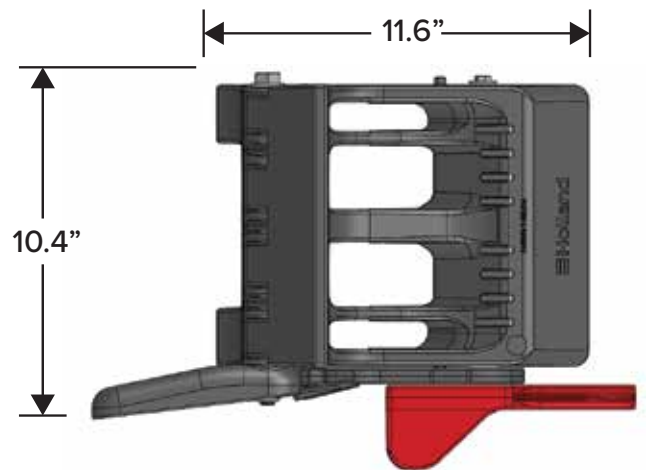
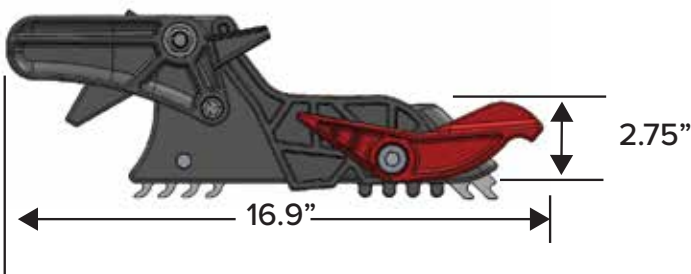
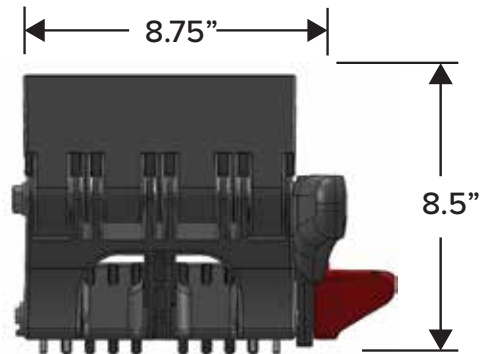
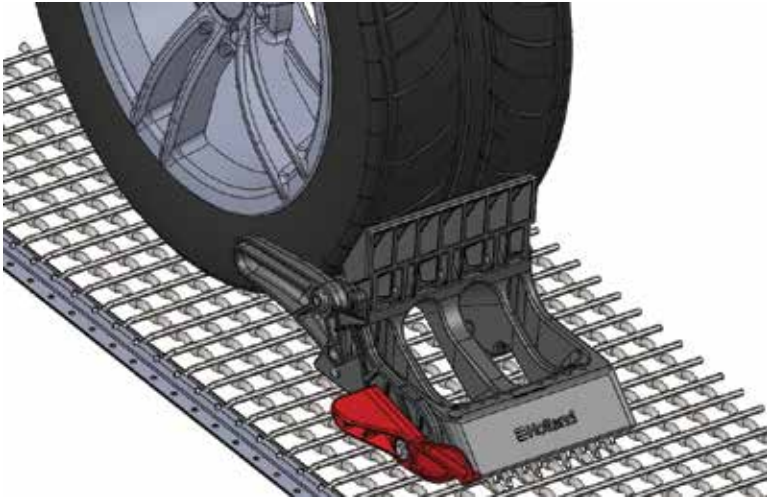


Application

Retracting/extending rear teeth for quick and easy installation and removal. Compatible with all style grating applications.



LocknLoad[®] Chock



- White decal shows that chock has been installed correctly

HOLLAND PART NUMBERS:
75203 (RH RED)
75204 (LH GREEN)