

The track testing dream team.

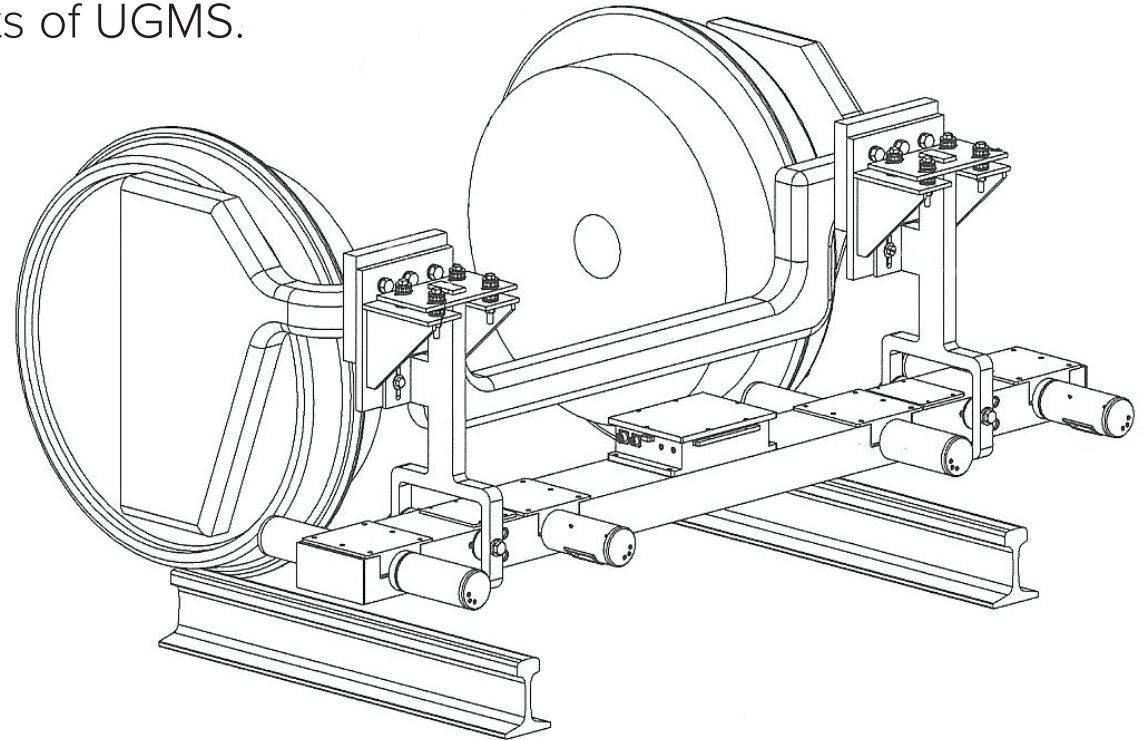


Superior Argus® testing technology combined with the flexibility and economic benefits of UGMS.

Argus® Track Measurement System

Argus® offers full track geometry and rail cant measurements in a lightweight, compact and low power package. Full system redundancy with automatic switchover maximizes system uptime.

The sensors are mounted in environmentally sealed tubes which are factory calibrated, eliminating the need for field calibration. The entire system consumes less than 150W of power for track geometry and rail cant measurement.



Unmanned Geometry Measurement System

Argus® redefines the economics of track testing by capital-izing on the superior measurement quality and optimized system packaging to ideally suit it for performance underneath a revenue rail vehicle. This combination takes advantage of the normal operations of revenue consists, eliminating the need for dedicated track time.

The system autonomously communicates the type, severity and location of track geometry exceptions back to a designated data facility in near-real time. Exceptions can be reviewed, edited, verified, and distributed for follow up verification and remediation as specified by the host railroad.

A Solutions Partnership Unlike Any Other

Call 708.672.2300 or Visit hollandco.com

