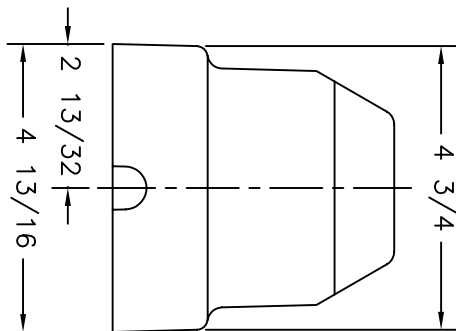
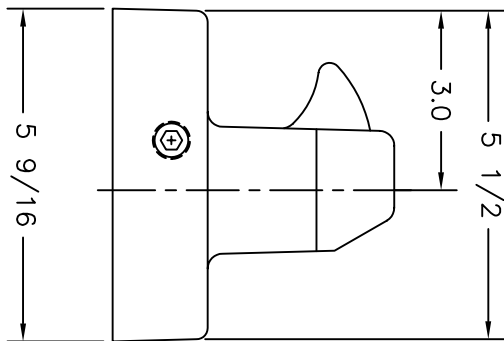
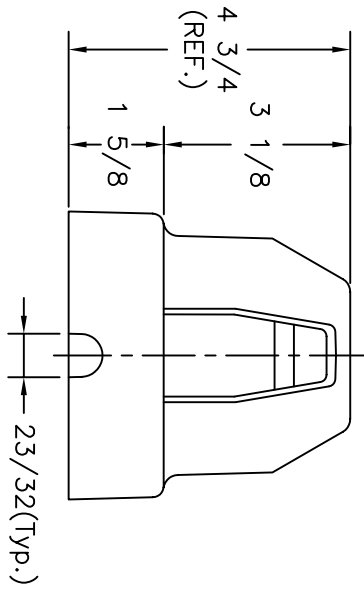


- NOTES:
1. CAST-IN MARKS ON THE ROOF INDICATE THE CENTER OF THE SHEAR BLOCK.
 2. LATCH COLOR: GREEN.



PATENT PENDING

PART No. 72280

REV.	DATE	CHG. NOTICE & DESCRIPT.	BY	CH.
2	12/20/02	ECN 1247	JBB	WLV
1	11/12/01	ECN 1175	WLV	Tdk

THIS DRAWING IS PROPERTY OF HOLLAND COMPANY WHO CLAIMS PROPRIETARY RIGHTS IN THE MATERIAL DISCLOSED. IT IS ISSUED IN CONFIDENCE FOR ENGINEERING INFORMATION ONLY AND MAY NOT BE COPIED OR USED FOR MANUFACTURE OF ANYTHING SHOWN WITHOUT SPECIFIC WRITTEN PERMISSION FROM HOLLAND COMPANY. HOLLAND COMPANY RESERVES THE RIGHT TO MODIFY DETAILS NOT AFFECTING STRENGTH OR APPLICATION AS MAY BE NECESSARY TO FACILITATE MANUFACTURE OR IMPROVE DESIGN.

DIMENSIONS IN INCHES
TOLERANCES UNLESS NOTED
FRACTIONS ± 1/16
DECIMALS ± 0.005
ANGLES ± 1°



DR. JBB	DATE	LATCH LOCK ASSEMBLY
CH. WLV	SCALE	ASSEMBLY COMPLIANT
AP. JAB	DATE	DATE
	2-28-01	DWG. NO. SA-72280