

# Load Securement

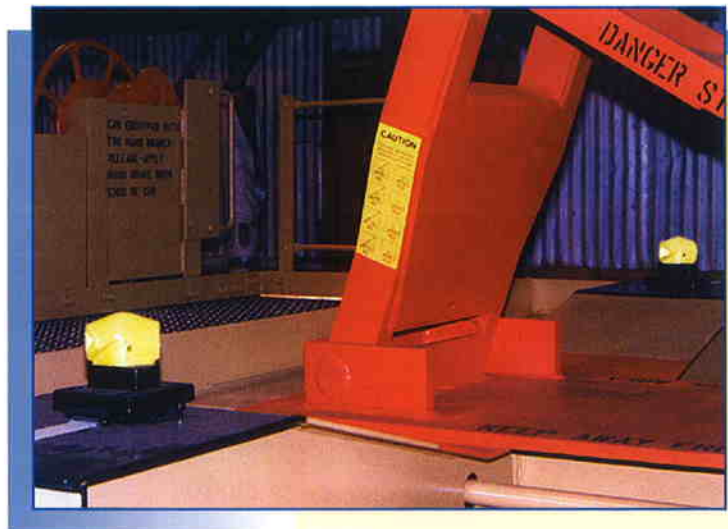
**Model: 68830**

**Description: Automatic Twist Lock for Containers on Rail Cars**



## **Product Benefits:**

- Secures containers to railcars in railroad applications.
- Fits all containers with ISO corner castings.
- Easy weld application.
- Universal-no rights or lefts.
- Faster loading and unloading times by eliminating need for a ground man to lock/unlock manual locks.
- Costs less to install and maintain.
- U.S. Patent 4,626,155.
- Rugged design ideal for specialty services such as garbage/waste haul and dirt/sand/coal haul.



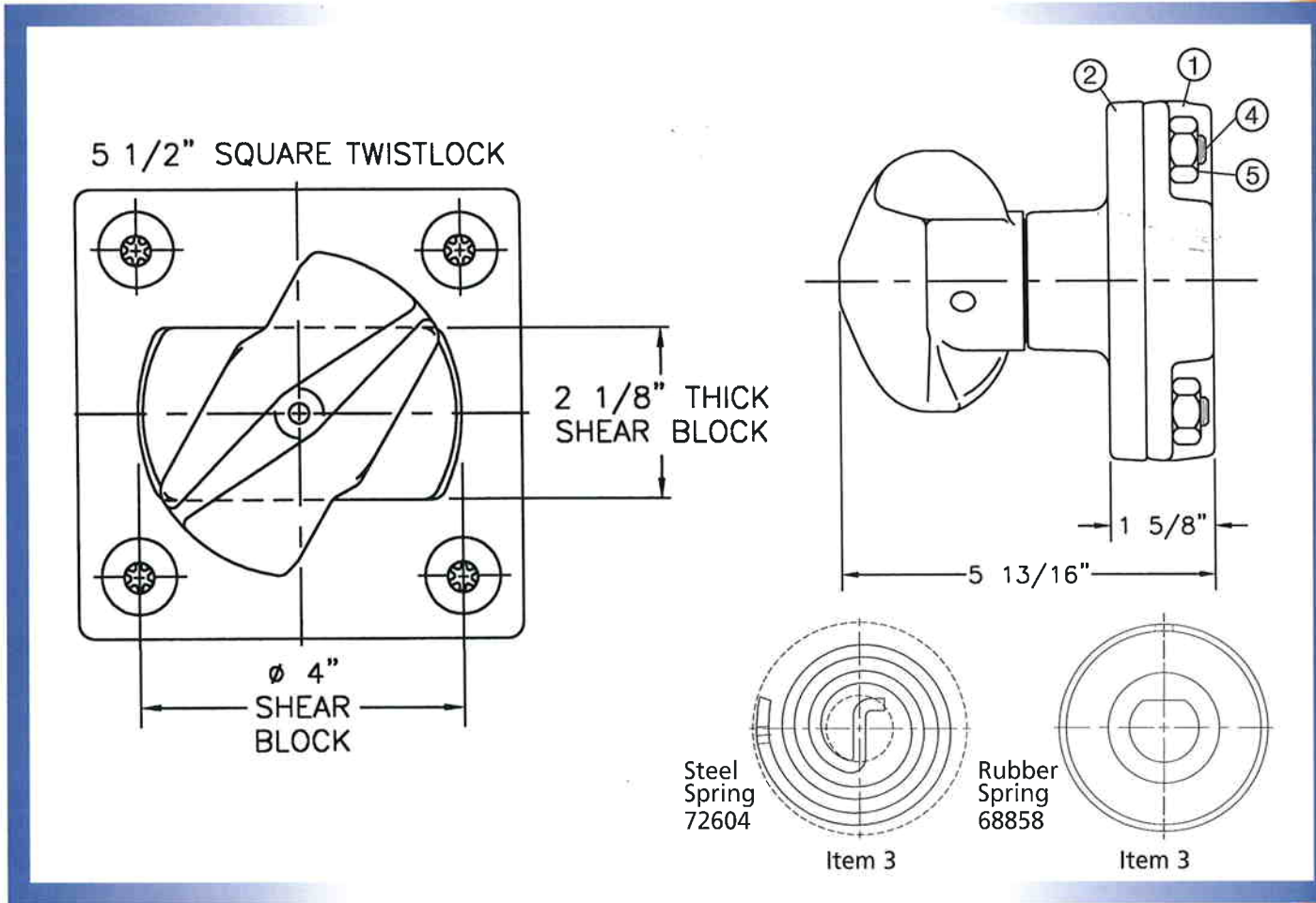
**Holland**

Holland, L.P.  
1000 Holland Drive  
Crete, Illinois 60417-2120-USA  
Phone: (708) 672-2300  
Fax: (708) 672-0119  
postmaster@hollandco.com  
www.hollandco.com

# Load Securement

**Model: 68830**

**Description: Automatic Twist Lock for Containers on Rail Cars**



## Physical Properties:

- Weldable forged steel base
- Austempered ductile iron twist-head and shear block

## Service Parts:

Description	Item No.	Part No.	Qty.
Lower Housing Assembly	1	70254	1
Upper Housing Assembly	2	70256	1
Spring, Rubber	3	68858	1
Spring, Steel	3	72604	1
Screw, FHSC	4	70258	4
Nut, 1/2 - 13	5	70259	4

Product specifications subject to change without prior notice.

## Application Notes:

- Designed to fit ISO corner castings.
- Meets all AAR M-952 requirements.
- Can be deck mounted with no cutting.
- Mounts to pedestal after pedestal is installed on the car for easiest lock positioning.