

Product Protection

Model: **Load Snuggler® System**

Description: **Coil Snuggler Restraint**



Product Benefits:

- Handles coiled metal products in railcars.
- Uses web strapping, a ratchet, floor anchors, and unique anchoring hooks to quickly and easily secure coils of steel or aluminum in boxcars.
- Replaces load divider bulkheads and eliminates damage that might be caused to coils.
- Strap rental programs available.
- Allows for faster loading and unloading.
- Increases worker safety by eliminating dangerous bulk heads.



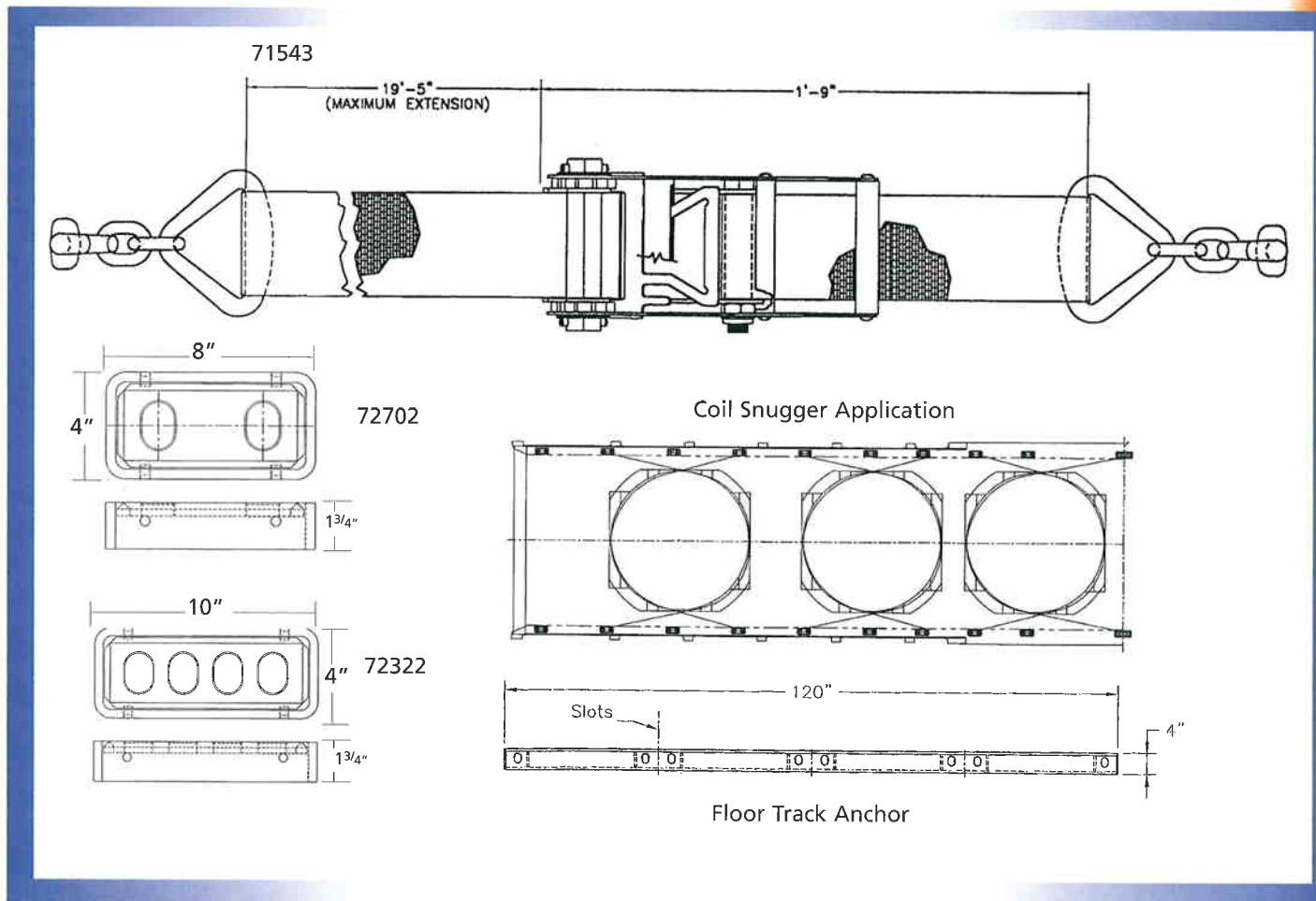
Holland

Holland, L.P.
1000 Holland Drive
Crete, Illinois 60417-2120-USA
Phone: (708) 672-2300
Fax: (708) 672-0119
postmaster@hollandco.com
www.hollandco.com

Product Protection

Model: Load Snugger® System

Description: Coil Snugger Restraint



Physical Properties:

- 4" polyester web strap assembly 18,000 - 20,000 lbs capacity
- Web Strap Color: Yellow
- 4" steel utility ratchet
- Steel "D" ring and welded links
- Special Holland "B" hook

AAR approved

Patents:

6,494,651

6,585,466

6,709,209

Application Notes:

- System can handle coils of 15,000 to 30,000 lbs.
- Conversion system available for older bulkhead cars.

Additional Components:

- 71170 Anti slip pad 1/4"x48"x48"
- 71301 Anti slip pad 1/4"x7"x48"
- 72187 Anti slip pad 1/4"x12"x48"
- 71478 Foam separator pad
- Customized Floor anchors available

Product specifications subject to change without prior notice.