

Hollube® Product Specifications

Model: **WE-4002**

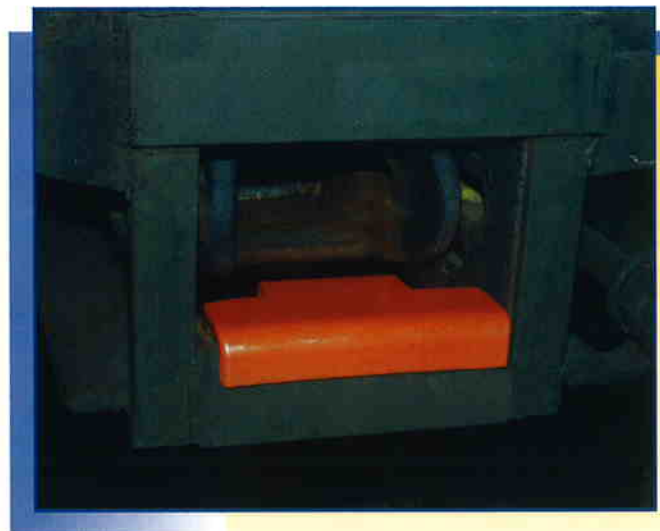
H00200R

Description: **Coupler Carrier Wear Plate**



Product Benefits:

- Eliminates wear on coupler shank.
- Weighs less than metallic wear plates.
- Simple drop-in installation-no welding required.
- Unconditionally AAR approved.



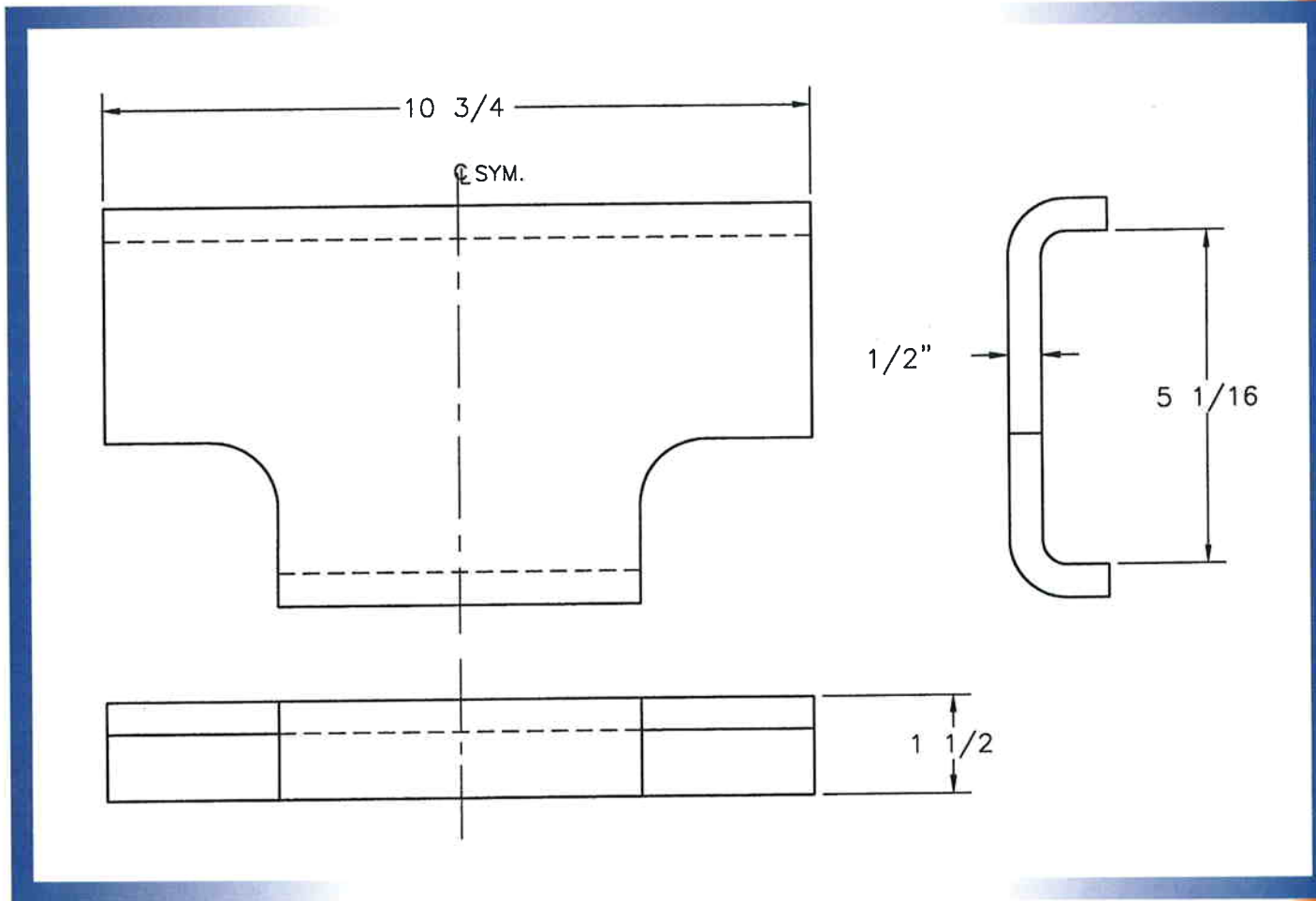
Holland

Holland Company
1000 Holland Drive
Crete, Illinois 60417-2120
Phone: (708) 756-0650
Fax: (708) 756-2641

Hollube® Product Specifications

Model: WE-4002

Description: Coupler Carrier Wear Plate



Physical Properties:

- Climate Limitations -70°F to +180°F
- Surface Load Capabilities 1000 psi
- Coefficient of Friction .15
- Deflection @ 1000 psi = .007
- Color Orange

Application Notes:

- Coupler carrier and coupler shank must be smooth; free of foreign material, weld splatter, and/or sharp edges.
- Lubrication is not required.

Product specifications subject to change without prior notice.