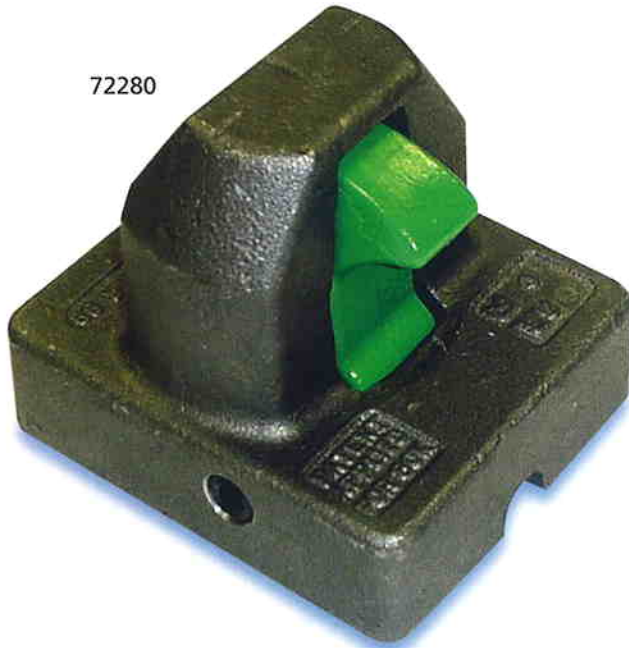


Load Securement

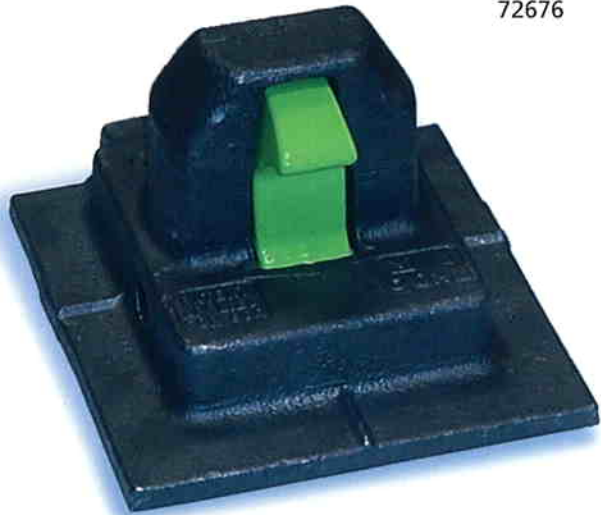
Model: 72280 & 72676

Description: Low Profile II Automatic Container Lock for Rail Cars

72280

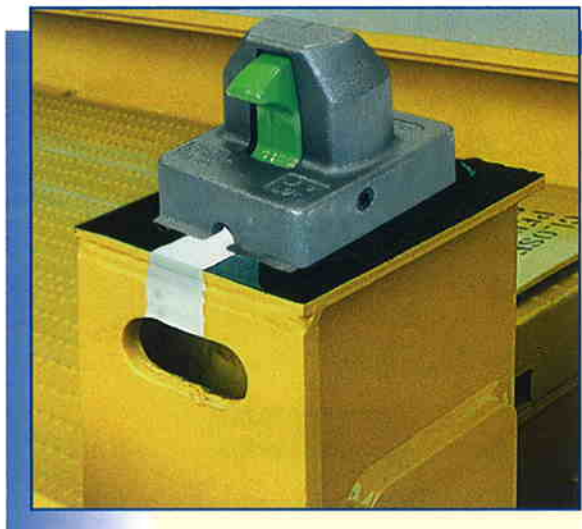


Flanged housing
L.P. II
72676



Product Benefits:

- Ideal for use on virtually any type of intermodal car.
- Easy weld application.
- Universal-no right or left units.
- Locks and releases automatically.
- Speed up loading and unloading times by eliminating need for a ground man to throw manual locks to secure position.
- Patent applied for.
- Available in models to replace any automatic lock on any intermodal car.
- Low cost repair kit.
- Above deck repair.
- Available with punch-deck pedestal to allow punch-deck cars to haul any width container.



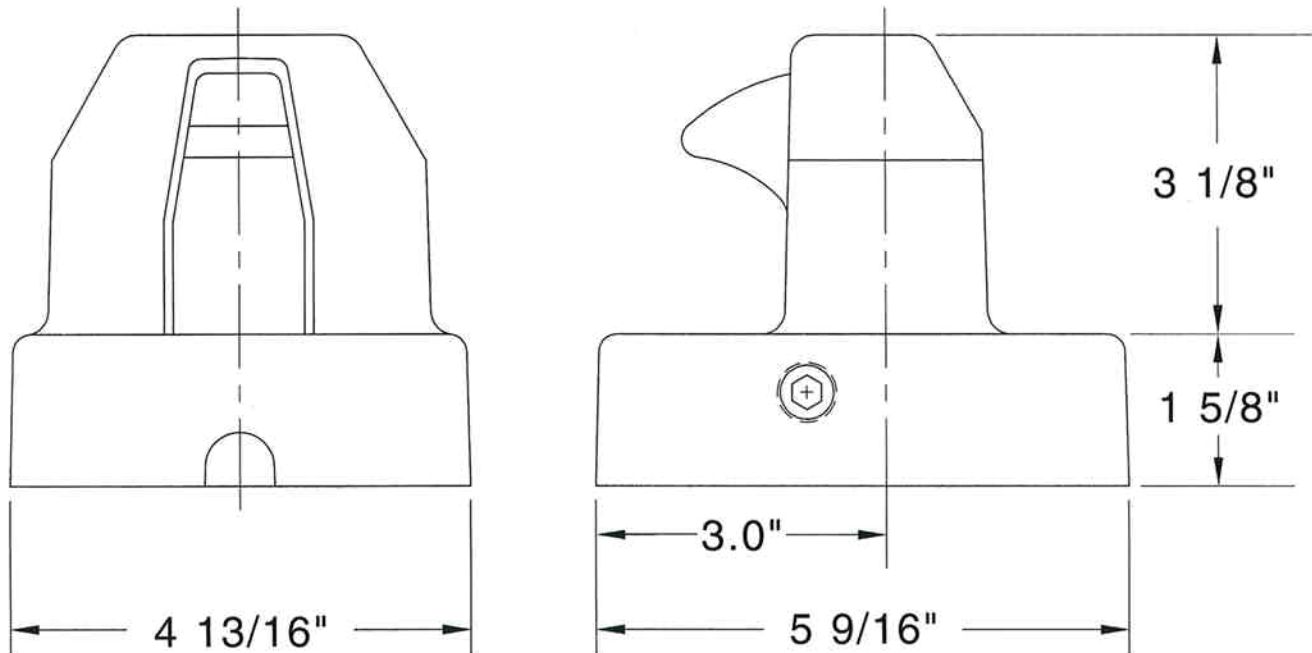
Holland

Holland, L.P.
1000 Holland Drive
Crete, Illinois 60417-2120-USA
Phone: (708) 672-2300
Fax: (708) 672-0119
postmaster@hollandco.com
www.hollandco.com

Load Securement

Model: 72280 & 72676

Description: Low Profile Automatic Container Lock for Rail Cars



Options: Folding pedestals, Slider pedestals, Stowable version

Physical Properties:

- Weldable high-strength cast steel housing
- Austempered ductile iron latch

Service Parts:

70618 & 71616 Latch Kit 70717
72280 & 72676 Latch Kit 72704

Service access uses standard allen wrench

Application Notes:

- Profile accomodates standard height ISO corner castings.
- Above-deck design makes maintenance simple-all working parts are easily accessible.
- Meets all AAR M-952 requirements.

Product specifications subject to change without prior notice.