

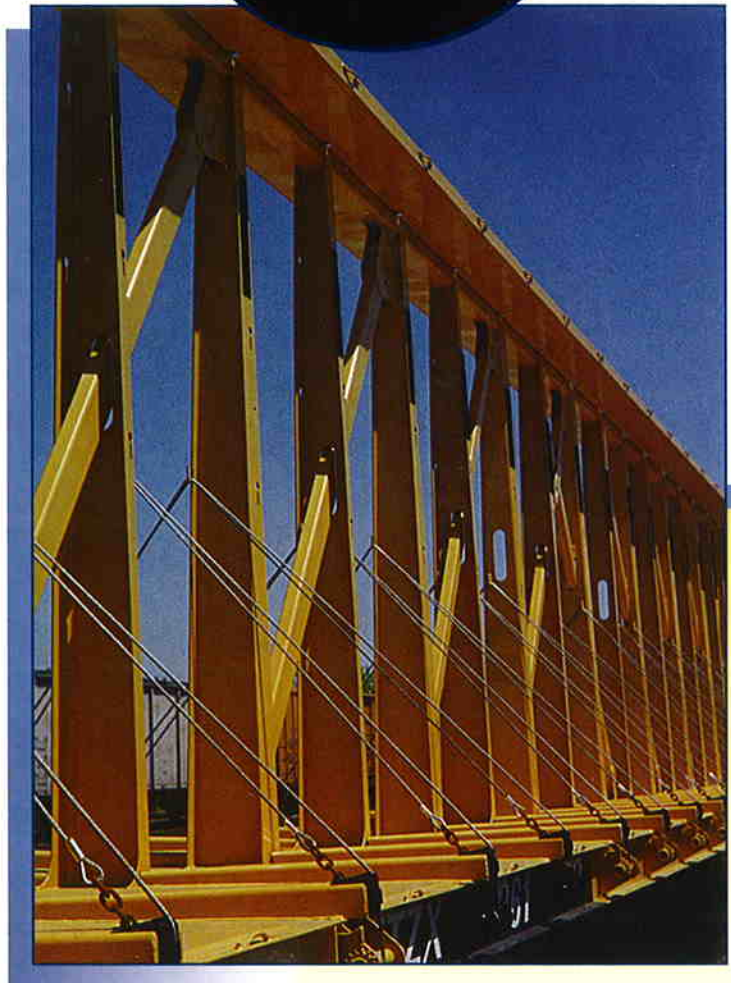
# Product Protection Component

**Model: 81673 & 81686**

**Description: Center Beam Product Protector**



Detail view  
of pad and  
weld washer



## **Product Benefits:**

- Moves with the load to prevent shearing and tearing of load.
- Eliminates painted uprights from rusting, which can cause stains to loads.
- Allows cars to flex and twist without damaging loads.

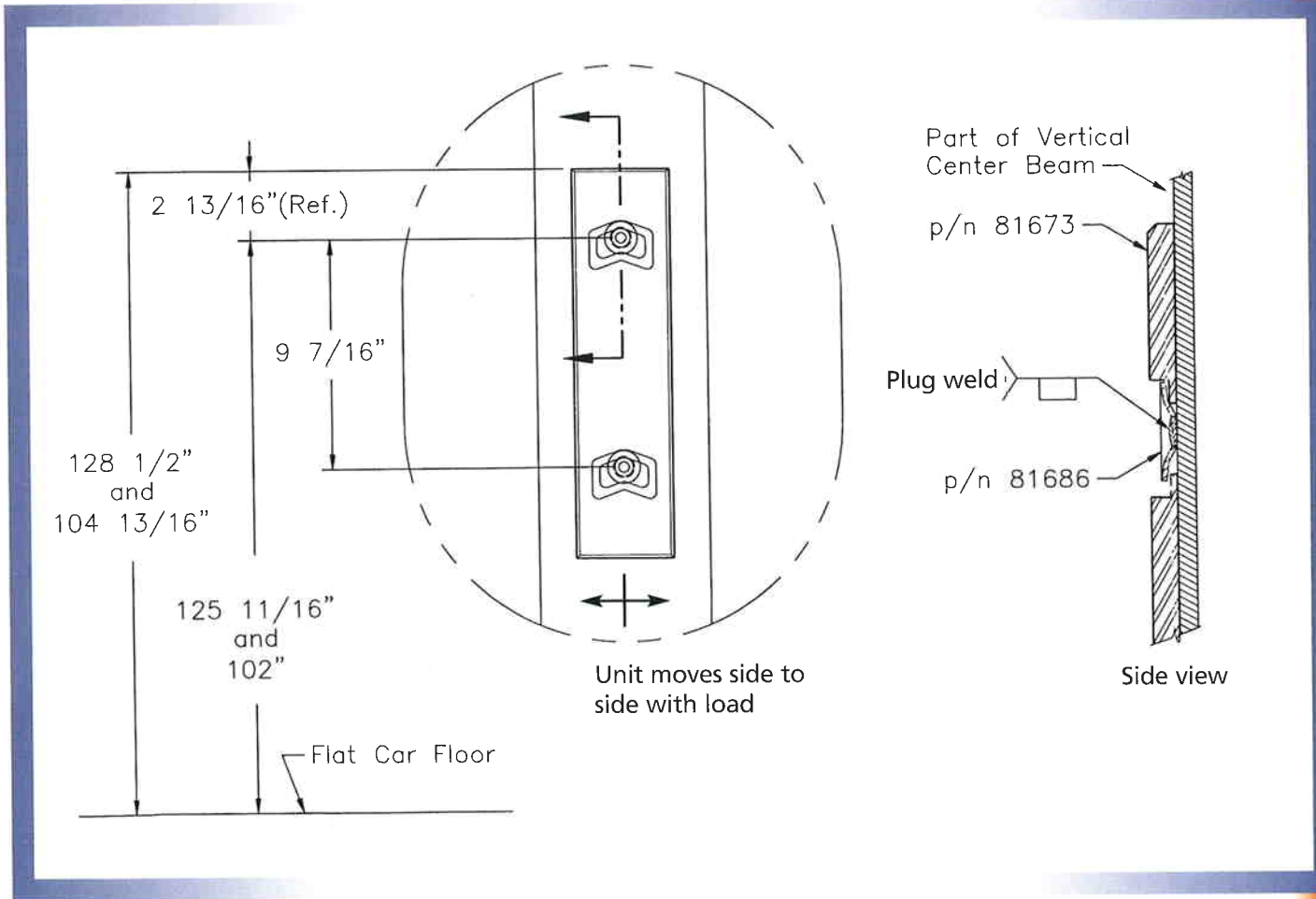
**Holland**

Holland Company  
1000 Holland Drive  
Crete, Illinois 60417-2120  
Phone: (708) 672-2300  
Fax: (708) 672-0119  
postmaster@hollandco.com

# Product Protection Component

**Model: 81673 & 81686**

**Description: Center Beam Product Protector**



## Physical Properties:

- Material: HMW PE
- Temperature: -60°F to +140°F  
UV protected  
Built-in expansion rate
- Color: Black, yellow, orange, and red
- Patent: Applied for

## Application Notes:

- Unique design has a built-in centering device so that Protector remains in center of upright when empty.
- Units should be positioned between the keyhole slots on the uprights.
- If welding, remove paint and rust in area needed-2 spots 1 1/2" diameter per piece.
- Paint touch-up suggested.

Product specifications subject to change without prior notice.